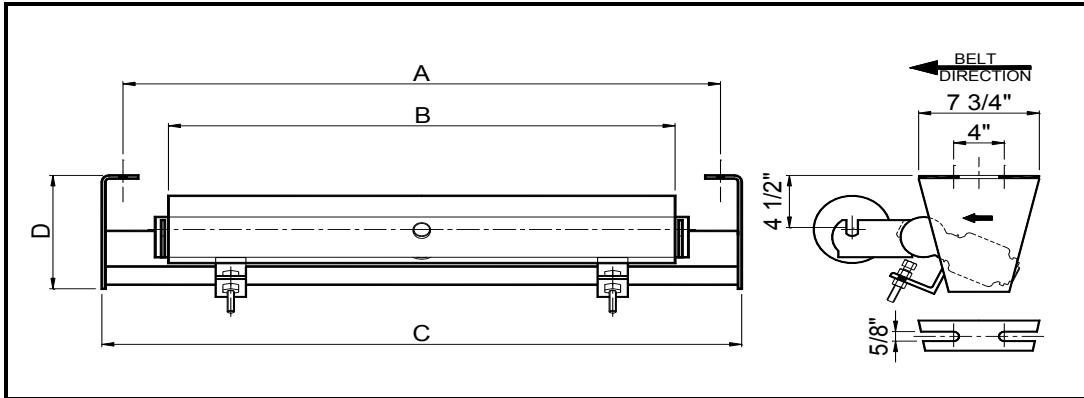




FLAT RETURN 'BELT TAMER'



5" ROLL

BELT WIDTH	IDLER PART NUMBER	ROLL PART NUMBER	A	B	C	D	IDLER WEIGHT	ROLL WEIGHT	ROLL ROTATING WEIGHT	SHAFT Ø	BRG TYPE
18	MC5-1800-RET-BT	MC-RR-5-18	27	21 1/8	29 3/4	8 7/8	59	22	17	1	6205
24	MC5-2400-RET-BT	MC-RR-5-24	33	27 1/8	35 3/4	8 7/8	70	27	21	1	6205
30	MC5-3000-RET-BT	MC-RR-5-30	39	33 1/8	41 3/4	8 7/8	78	32	24	1	6205
36	MC5-3600-RET-BT	MC-RR-5-36	45	39 1/8	47 3/4	8 7/8	89	37	28	1	6205
42	MC5-4200-RET-BT	MC-RR-5-42	51	45 1/8	53 3/4	8 7/8	98	42	32	1	6205
48	MC5-4800-RET-BT	MC-RR-5-48	57	51 1/8	59 3/4	8 7/8	108	48	36	1	6205
54	MC5-5400-RET-BT	MC-RR-5-54	63	57 1/8	65 3/4	8 7/8	125	53	40	1 1/4* - 1	6205
60	MC5-6000-RET-BT	MC-RR-5-60	69	63 1/8	71 3/4	8 7/8	137	58	44	1 1/4* - 1	6205
66	MC5-6600-RET-BT	MC-RR-5-66	75	69	77 3/4	8 7/8	162	63	48	1 1/4* - 1	6205

6" ROLL

BELT WIDTH	IDLER PART NUMBER	ROLL PART NUMBER	A	B	C	D	IDLER WEIGHT	ROLL WEIGHT	ROLL ROTATING WEIGHT	SHAFT Ø	BRG TYPE
24	MC6-2400-RET-BT	MC-RR-6-24	33	27 1/8	35 3/4	8 7/8	75	32	26	1	6205
30	MC6-3000-RET-BT	MC-RR-6-30	39	33 1/8	41 3/4	8 7/8	85	38	31	1	6205
36	MC6-3600-RET-BT	MC-RR-6-36	45	39 1/8	47 3/4	8 7/8	96	45	36	1	6205
42	MC6-4200-RET-BT	MC-RR-6-42	51	45 1/8	53 3/4	8 7/8	107	51	41	1	6205
48	MC6-4800-RET-BT	MC-RR-6-48	57	51 1/8	59 3/4	8 7/8	118	57	46	1	6205
54	MC6-5400-RET-BT	MC-RR-6-54	63	57 1/8	65 3/4	8 7/8	138	66	54	1 1/4* - 1	6205
60	MC6-6000-RET-BT	MC-RR-6-60	69	63 1/8	71 3/4	8 7/8	155	75	61	1 1/4* - 1	6205
66	MC6-6600-RET-BT	MC-RR-6-66	75	69	77 3/4	8 7/8	168	83	68	1 1/4* - 1	6205

NOTES :

1. Also available with 1-1/2" drop.
2. Also available with wide mounting centers = A + 6"
3. Dimensions in Inches, Weights in lbs
4. Note actual drop height will be approximately 5/8" smaller for correct tamer operation
5. * 1-1/4" diameter shaft stepped-down to 1" diameter at the bearing.