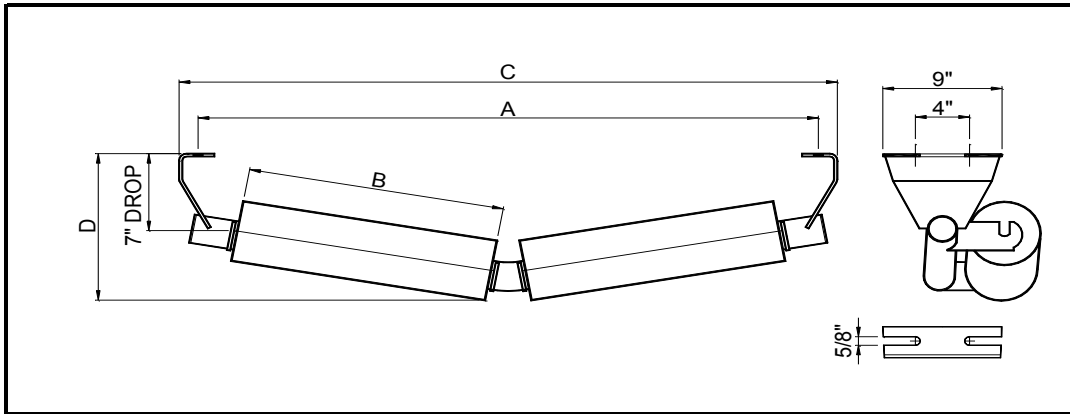




10° V - RETURN IDLER



5" ROLL

BELT WIDTH	IDLER PART NUMBER	ROLL PART NUMBER	A	B	C	D	IDLER WEIGHT	ROLL WEIGHT	ROLL ROTATING WEIGHT	SHAFT Ø	BRG TYPE
24	MC5-2410-VRET	MC-VR-5-24	33	11 3/4	36	15 7/8	39	14	11	1	6205
30	MC5-3010-VRET	MC-VR-5-30	39	15 3/4	42	16 3/8	48	17	13	1	6205
36	MC5-3610-VRET	MC-VR-5-36	45	18 3/4	48	16 3/4	55	20	15	1	6205
42	MC5-4210-VRET	MC-VR-5-42	51	22	54	17 3/8	63	22	17	1	6205
48	MC5-4810-VRET	MC-VR-5-48	57	25	60	17 7/8	72	25	19	1	6205
54	MC5-5410-VRET	MC-VR-5-54	63	28 3/8	66	18 7/8	84	28	21	1	6205
60	MC5-6010-VRET	MC-VR-5-60	69	31 1/2	72	19 1/2	99	31	23	1	6205
66	MC5-6610-VRET	MC-VR-5-66	75	35	78	20 3/8	105	34	26	1	6205

6" ROLL

BELT WIDTH	IDLER PART NUMBER	ROLL PART NUMBER	A	B	C	D	IDLER WEIGHT	ROLL WEIGHT	ROLL ROTATING WEIGHT	SHAFT Ø	BRG TYPE
24	MC6-2410-VRET	MC-VR-6-24	33	11 3/4	36	15 7/8	45	16	13	1	6205
30	MC6-3010-VRET	MC-VR-6-30	39	15 3/4	42	16 3/8	53	20	16	1	6205
36	MC6-3610-VRET	MC-VR-6-36	45	18 3/4	48	16 3/4	62	23	19	1	6205
42	MC6-4210-VRET	MC-VR-6-42	51	22	54	17 3/8	71	26	21	1	6205
48	MC6-4810-VRET	MC-VR-6-48	57	25	60	17 7/8	82	30	24	1	6205
54	MC6-5410-VRET	MC-VR-6-54	63	28 3/8	66	18 7/8	95	33	27	1	6205
60	MC6-6010-VRET	MC-VR-6-60	69	31 1/2	72	19 1/2	111	37	30	1	6205
66	MC6-6610-VRET	MC-VR-6-66	75	35	78	20 3/8	118	40	32	1	6205

NOTES :

1. Also available with wide mounting centers = A + 6"
2. Dimensions in Inches, Weights in lbs
3. Flat return idler also available with 1-1/2 inch drop.
4. V-Return idler also available with 4-1/2 inch drop.
5. * 1-1/4" diameter shaft stepped-down to 1" diameter at the bearing.