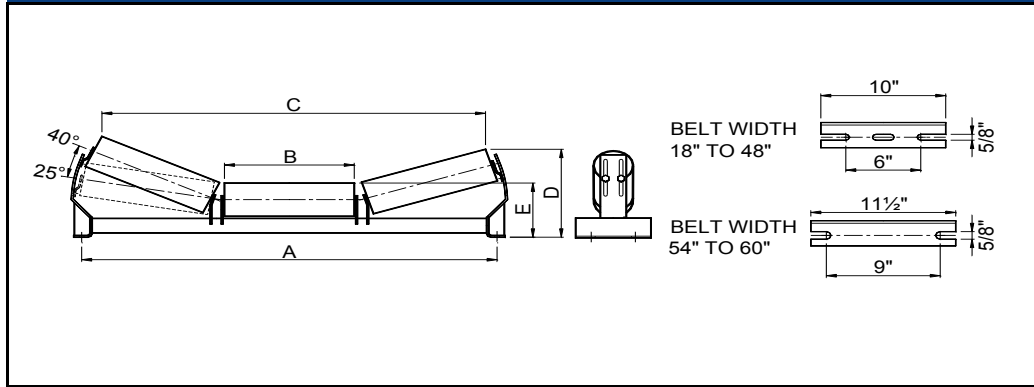




## 25° - 40° INLINE ADJUSTABLE TROUGH IDLER



### 5" ROLL

BELT WIDTH	IDLER PART NUMBER	ROLL PART NUMBER	A	B	C	D	E ± 1/4"	IDLER WEIGHT	ROLL WEIGHT	ROLL ROTATING WEIGHT	SHAFT Ø	BRG TYPE
18	MC5-18B-ADJ	MC-TR-5-18	27	7 1/2	21 3/4	13 1/2	8 1/2	48	10	8	1	6205
<b>24</b>	<b>MC5-24B-ADJ</b>	<b>MC-TR-5-24</b>	<b>33</b>	<b>9 1/2</b>	<b>27 3/8</b>	<b>14 3/4</b>	<b>8 1/2</b>	<b>56</b>	<b>12</b>	<b>9</b>	<b>1</b>	<b>6205</b>
30	MC5-30B-ADJ	MC-TR-5-30	39	11 3/8	32 7/8	16	8 1/2	65	13	10	1	6205
<b>36</b>	<b>MC5-36B-ADJ</b>	<b>MC-TR-5-36</b>	<b>45</b>	<b>13 3/8</b>	<b>38 3/8</b>	<b>17 1/2</b>	<b>8 1/2</b>	<b>73</b>	<b>15</b>	<b>12</b>	<b>1</b>	<b>6205</b>
42	MC5-42B-ADJ	MC-TR-5-42	51	15 3/8	43 7/8	19	9	82	17	13	1	6205
<b>48</b>	<b>MC5-48B-ADJ</b>	<b>MC-TR-5-48</b>	<b>57</b>	<b>17 3/4</b>	<b>50 1/2</b>	<b>20 1/2</b>	<b>9</b>	<b>90</b>	<b>19</b>	<b>15</b>	<b>1</b>	<b>6205</b>
54	MC5-54B-ADJ	MC-TR-5-54	63	19 3/4	56 1/8	22 1/8	9 1/4	113	20	16	1	6205
<b>60</b>	<b>MC5-60B-ADJ</b>	<b>MC-TR-5-60</b>	<b>69</b>	<b>22</b>	<b>62 3/4</b>	<b>23 5/8</b>	<b>9 1/4</b>	<b>126</b>	<b>22</b>	<b>17</b>	<b>1</b>	<b>6205</b>

### 6" ROLL

BELT WIDTH	IDLER PART NUMBER	ROLL PART NUMBER	A	B	C	D	E ± 1/4"	IDLER WEIGHT	ROLL WEIGHT	ROLL ROTATING WEIGHT	SHAFT Ø	BRG TYPE
24	MC6-24B-ADJ	MC-TR-6-24	33	9 1/2	27 3/4	15 1/8	9	63	14	11	1	6205
<b>30</b>	<b>MC6-30B-ADJ</b>	<b>MC-TR-6-30</b>	<b>39</b>	<b>11 3/8</b>	<b>33 1/2</b>	<b>16 3/8</b>	<b>9</b>	<b>73</b>	<b>16</b>	<b>13</b>	<b>1</b>	<b>6205</b>
36	MC6-36B-ADJ	MC-TR-6-36	45	13 3/8	38 3/4	17 5/8	9	81	18	15	1	6205
<b>42</b>	<b>MC6-42B-ADJ</b>	<b>MC-TR-6-42</b>	<b>51</b>	<b>15 3/8</b>	<b>44 3/8</b>	<b>19 3/8</b>	<b>9 1/2</b>	<b>92</b>	<b>20</b>	<b>16</b>	<b>1</b>	<b>6205</b>
48	MC6-48B-ADJ	MC-TR-6-48	57	17 3/4	51	21	9 1/2	101	22	18	1	6205
<b>54</b>	<b>MC6-54B-ADJ</b>	<b>MC-TR-6-54</b>	<b>63</b>	<b>19 3/4</b>	<b>56 1/2</b>	<b>22 1/2</b>	<b>9 3/4</b>	<b>124</b>	<b>24</b>	<b>20</b>	<b>1</b>	<b>6205</b>
60	MC6-60B-ADJ	MC-TR-6-60	69	22	63 1/8	24	9 3/4	146	29	24	1	6205

**NOTES :**

1. Also available with adjustment from 10° to 25°. (15° maximum adjustment per base).
2. Also available with wide mounting centers = A + 6"
3. Trough idlers have 3 equal length fully interchangeable rollers.
4. The part number for a frame only is the idler part number with the suffix FR
5. Dimensions in Inches, Weights in lbs
6. 'C' dimension given is the maximum at 25° trough angle. 'D' dimension is the maximum, at 40° trough angle

*NB. The CEMA C standard for bolt centers is 6" for 18" to 36" belts, and 7-1/2" for 42" to 48" belts.*

*Our slots are open-ended allowing full compatibility from 18" to 48" belts, for 6" and larger than 7-1/2" bolt centers.*

*There is an additional central slot allowing for a single bolt option on 18" and up to 48" belt widths.*

Information subject to change without notice. Certified information available upon request