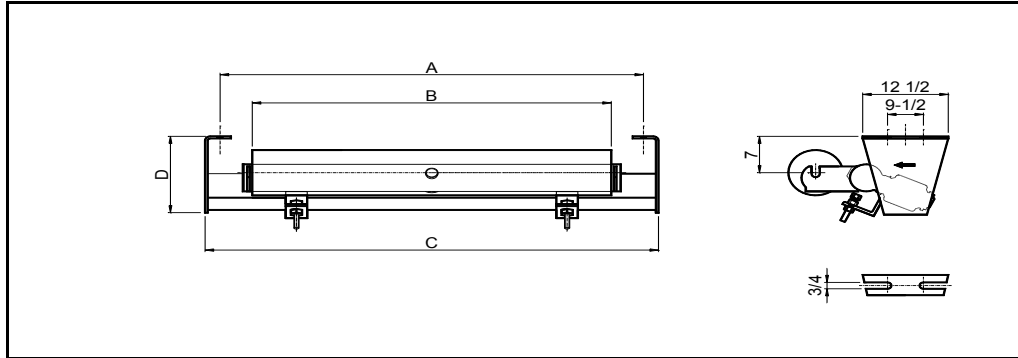




FLAT RETURN 'BELT TAMER'



6" ROLL

BELT WIDTH	IDLER PART NUMBER	ROLL PART NUMBER	A	B	C	D	IDLER WEIGHT	ROLL WEIGHT	ROLL ROTATING WEIGHT	SHAFT Ø	BRG TYPE
36	ME6-3600-RET-BT	ME-RR-6-36	45	39 1/8	35 3/4	11 7/8	121	78	55	1-5/8 - 1-3/16*	6306
42	ME6-4200-RET-BT	ME-RR-6-42	51	45 1/8	41 3/4	11 7/8	135	89	62	1-5/8 - 1-3/16*	6306
48	ME6-4800-RET-BT	ME-RR-6-48	57	51 1/8	47 3/4	11 7/8	151	99	69	1-5/8 - 1-3/16*	6306
54	ME6-5400-RET-BT	ME-RR-6-54	63	57 1/8	53 3/4	11 7/8	166	110	76	1-5/8 - 1-3/16*	6306
60	ME6-6000-RET-BT	ME-RR-6-60	69	63 1/8	59 3/4	11 7/8	181	120	84	1-5/8 - 1-3/16*	6306
66	ME6-6600-RET-BT	ME-RR-6-66	75	69	65 3/4	11 7/8	196	131	91	1-5/8 - 1-3/16*	6306
72	ME6-7200-RET-BT	ME-RR-6-72	81	75 1/8	71 3/4	11 7/8	214	141	98	1-5/8 - 1-3/16*	6306
78	ME6-7800-RET-BT	ME-RR-6-78	87	81 1/8	77 3/4	11 7/8	232	152	105	1-5/8 - 1-3/16*	6306
84	ME6-8400-RET-BT	ME-RR-6-84	93	83 1/8	83 3/4	11 7/8	242	155	108	1-5/8 - 1-3/16*	6306
90	ME6-9000-RET-BT	ME-RR-6-90	99	93 1/8	89 3/4	11 7/8	266	173	120	1-5/8 - 1-3/16*	6306
96	ME6-9600-RET-BT	ME-RR-6-96	105	99	95 3/4	11 7/8	284	184	127	1-5/8 - 1-3/16*	6306
102	ME6-10200-RET-BT	ME-RR-6-102	111	105 1/8	101 3/4	11 7/8	300	194	135	1-5/8 - 1-3/16*	6306

7" ROLL

BELT WIDTH	IDLER PART NUMBER	ROLL PART NUMBER	A	B	C	D	IDLER WEIGHT	ROLL WEIGHT	ROLL ROTATING WEIGHT	SHAFT Ø	BRG TYPE
36	ME7-3600-RET-BT	ME-RR-7-36	45	39 1/8	35 3/4	11 7/8	129	86	63	1-5/8 - 1-3/16*	6306
42	ME7-4200-RET-BT	ME-RR-7-42	51	45 1/8	41 3/4	11 7/8	145	98	72	1-5/8 - 1-3/16*	6306
48	ME7-4800-RET-BT	ME-RR-7-48	57	51 1/8	47 3/4	11 7/8	162	110	80	1-5/8 - 1-3/16*	6306
54	ME7-5400-RET-BT	ME-RR-7-54	63	57 1/8	53 3/4	11 7/8	178	122	89	1-5/8 - 1-3/16*	6306
60	ME7-6000-RET-BT	ME-RR-7-60	69	63 1/8	59 3/4	11 7/8	194	134	97	1-5/8 - 1-3/16*	6306
66	ME7-7200-RET-BT	ME-RR-7-66	75	69	65 3/4	11 7/8	199	134	97	1-5/8 - 1-3/16*	6306
72	ME7-7200-RET-BT	ME-RR-7-72	81	75 1/8	71 3/4	11 7/8	218	146	106	1-5/8 - 1-3/16*	6306
78	ME7-7800-RET-BT	ME-RR-7-78	87	81 1/8	77 3/4	11 7/8	226	146	106	1-5/8 - 1-3/16*	6306
84	ME7-8400-RET-BT	ME-RR-7-84	93	83 1/8	83 3/4	11 7/8	244	158	114	1-5/8 - 1-3/16*	6306
90	ME7-9000-RET-BT	ME-RR-7-90	99	93 1/8	89 3/4	11 7/8	298	205	149	1-5/8 - 1-3/16*	6306
96	ME7-9600-RET-BT	ME-RR-7-96	105	99	95 3/4	11 7/8	306	205	149	1-5/8 - 1-3/16*	6306
102	ME7-10200-RET-BT	ME-RR-7-102	111	105 1/8	101 3/4	11 7/8	323	217	157	1-5/8 - 1-3/16*	6306

Notes

1. Also available with wide mounting centres = A + 6"
2. Dimensions in inches, Weights in lbs
3. Flat return idler also available with 1-1/2 & 4-1/2 inch drop
4. V-return idler also available with 4-1/2 inch drop.
5. * 1-5/8" diameter shaft stepped down to 1-3/16" diameter at the bearing.

Information subject to change without notice. Certified information available upon request