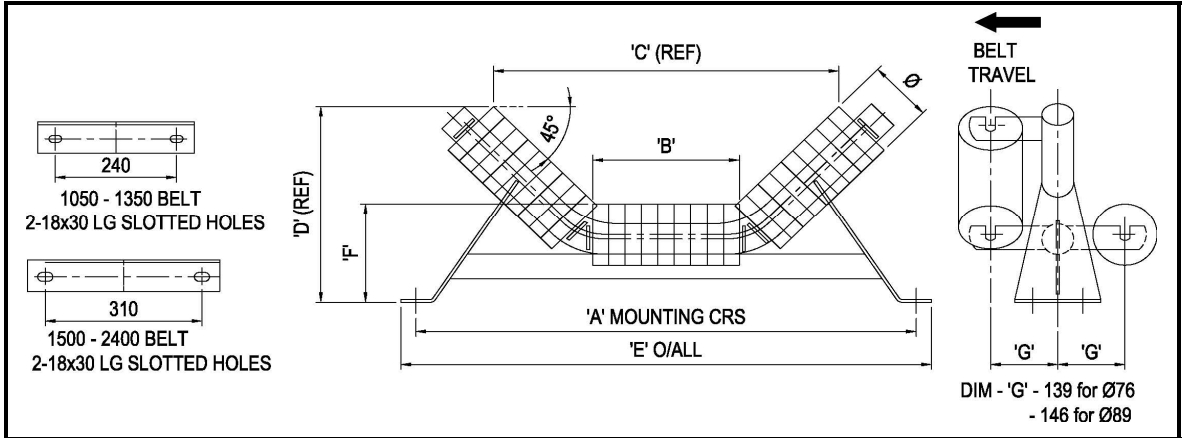




**3 ROLL OFF SET TUBULAR IMPACT 40 SHAFT 45°**



**Ø 159 RUBBER DISC IMPACT ROLLERS**

BELT WIDTH	A	B	C	D	E	F	MASS			
							FRAME	ROLL	ROTATING (PER SET)	IDLER SET
<b>1050</b>	<b>1296</b>	<b>390</b>	<b>902</b>	<b>538</b>	<b>1356</b>	<b>288</b>	<b>28.0</b>	<b>14.9</b>	<b>34.8</b>	<b>72.7</b>
1200	1448	450	1047	581	1508	288	31.0	16.2	37.3	79.6
<b>1350</b>	<b>1600</b>	<b>500</b>	<b>1167</b>	<b>616</b>	<b>1660</b>	<b>288</b>	<b>35.0</b>	<b>17.7</b>	<b>40.7</b>	<b>88.1</b>
1500	1752	560	1312	678	1812	313	43.0	19.4	44.5	101.2
<b>1650</b>	<b>1904</b>	<b>610</b>	<b>1433</b>	<b>714</b>	<b>1964</b>	<b>313</b>	<b>52.0</b>	<b>20.6</b>	<b>46.9</b>	<b>113.8</b>
1800	2058	660	1554	749	2118	313	64.0	21.8	49.4	129.4
<b>2100</b>	<b>2362</b>	<b>765</b>	<b>1807</b>	<b>823</b>	<b>2422</b>	<b>313</b>	<b>87.0</b>	<b>25.0</b>	<b>56.6</b>	<b>162.0</b>
2400	2668	870	2061	898	2728	313	96.0	27.4	61.4	178.2

Notes

1. Dimensions in mm, Masses in kg
2. Idler dimensions to SANS 1313 - 1 2002 "Conveyor Belt Idlers"

**Information subject to change without notice. Certified information available upon request.**