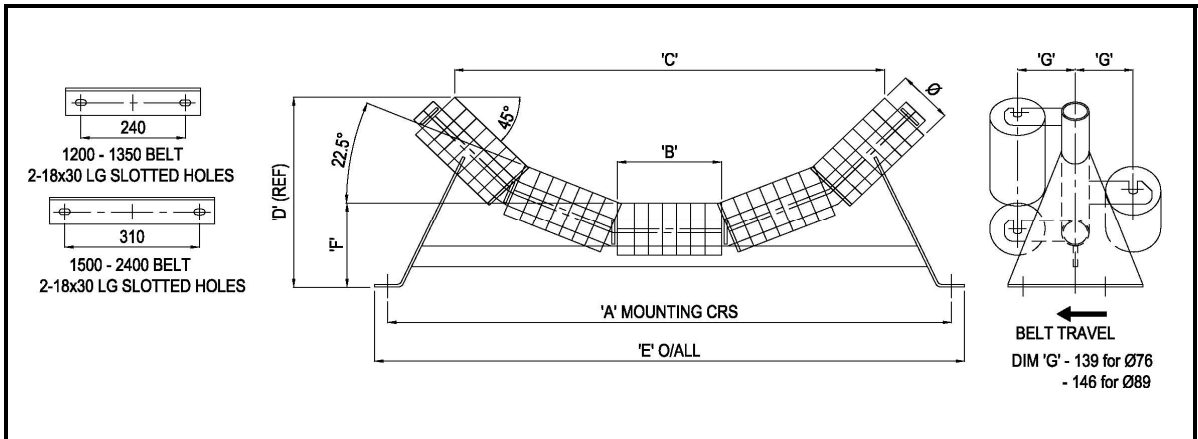




### 5 ROLL OFF SET TUBULAR IMPACT 40 SHAFT 45°



### Ø 159 RUBBER DISC IMPACT ROLLERS

BELT WIDTH	A	B	C	D	E	F	MASS			
							FRAME	ROLL	ROTATING (PER SET)	IDLER SET
1200	1448	270	1103	522	1508	288	34	11.5	41.8	91.5
<b>1350</b>	<b>1600</b>	<b>300</b>	<b>1230</b>	<b>555</b>	<b>1660</b>	<b>288</b>	<b>39</b>	<b>12.3</b>	<b>44.6</b>	<b>100.7</b>
1500	1752	340	1401	604	1812	313	41	13.3	47.6	107.7
<b>1650</b>	<b>1904</b>	<b>370</b>	<b>1529</b>	<b>636</b>	<b>1964</b>	<b>313</b>	<b>49</b>	<b>14.2</b>	<b>50.4</b>	<b>120.0</b>
1800	2058	400	1657	669	2118	313	51	15.0	53.1	126.2
<b>2100</b>	<b>2362</b>	<b>475</b>	<b>1976</b>	<b>751</b>	<b>2422</b>	<b>313</b>	<b>55</b>	<b>17.0</b>	<b>59.1</b>	<b>139.9</b>
2400	2668	536	2236	817	2728	313	66	18.7	64.7	159.4

Notes

1. Dimensions in mm, Masses in kg
2. Idler dimensions to SANS. 1313 -1 2002 "Conveyor Belt Idlers"

**Information subject to change without notice. Certified information available upon request.**